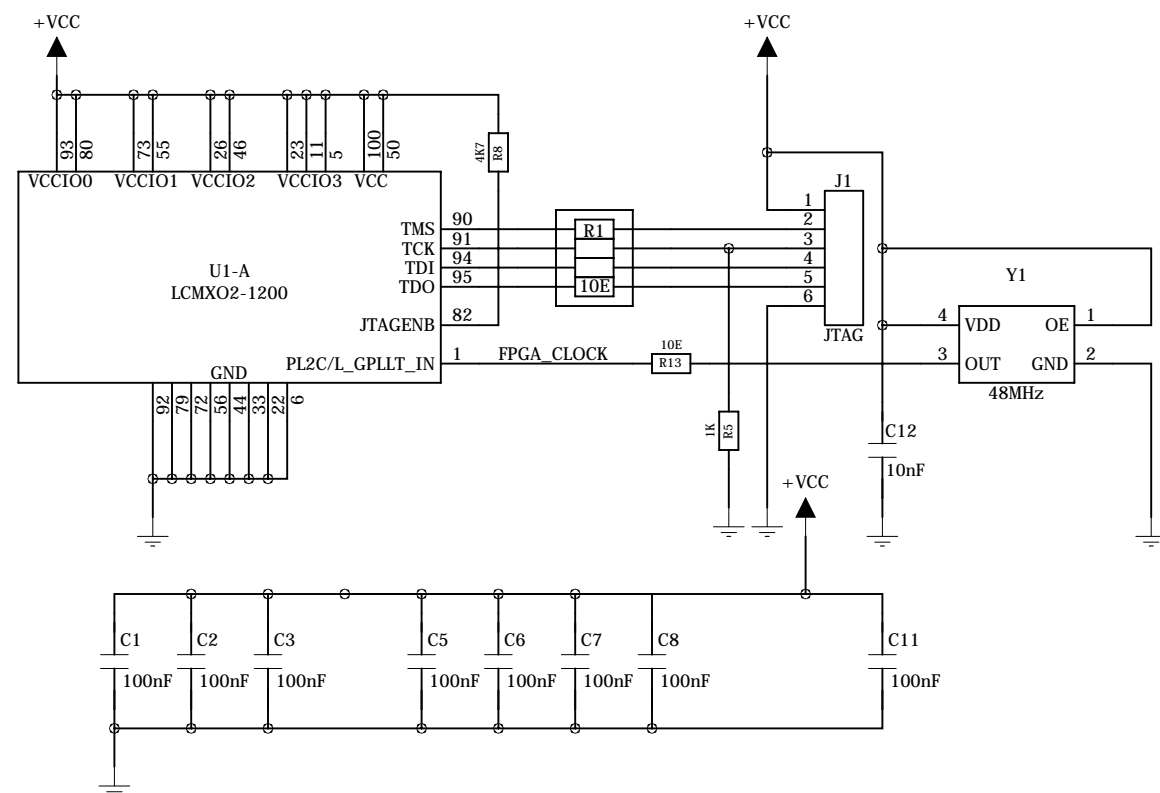
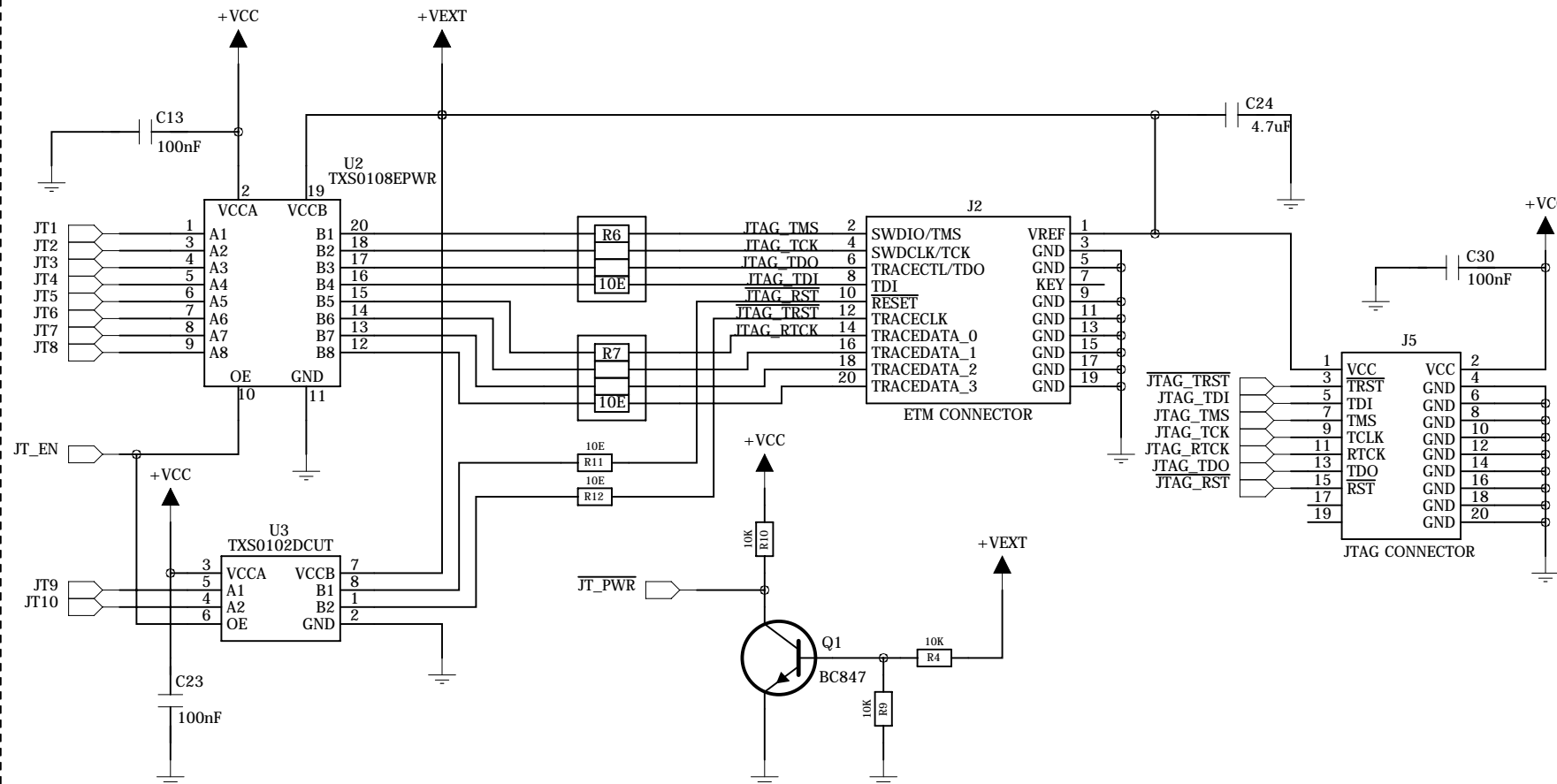


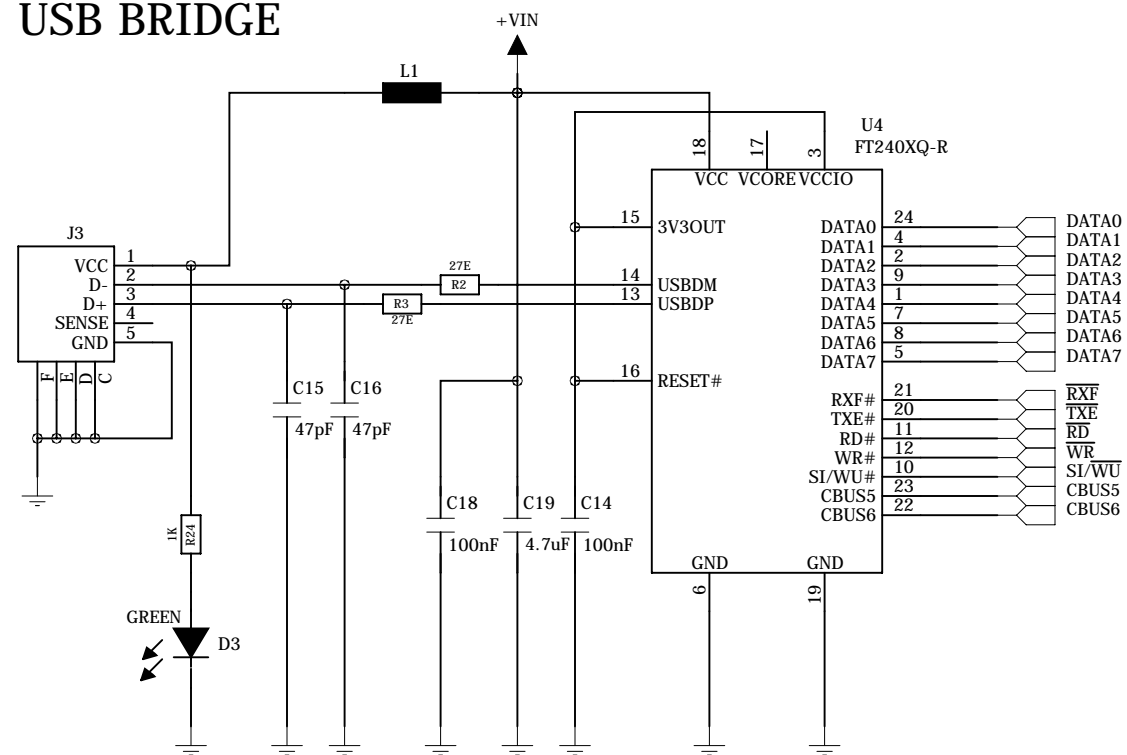
FPGA-POWER/CLOCK/JTAG



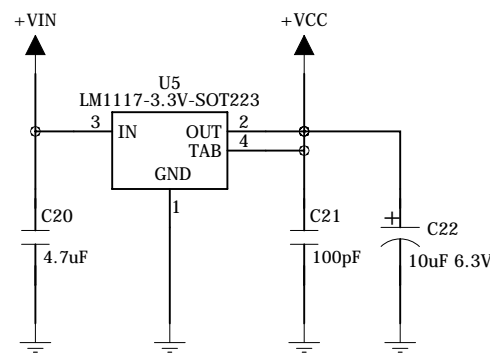
EXTERNAL JTAG/ETM CONNECTOR



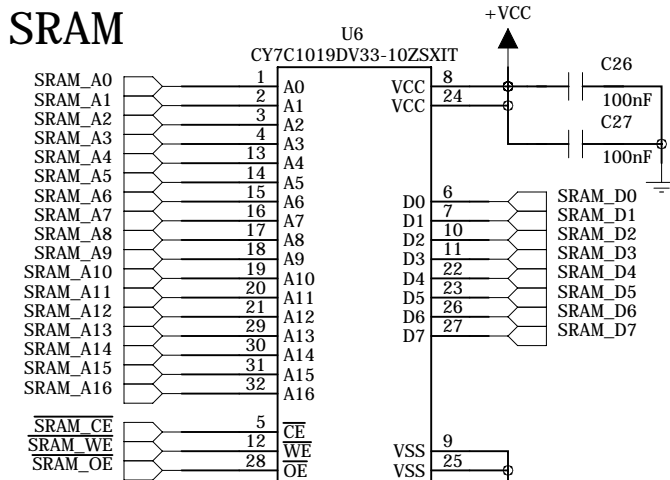
USB BRIDGE



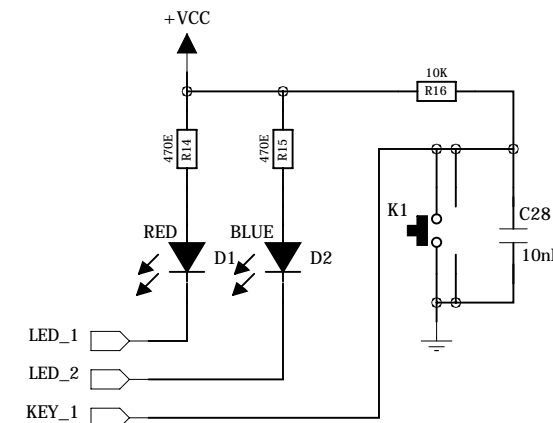
POWER



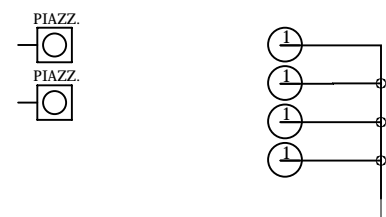
SRAM



LED/KEY



MECHANICAL



OpenJTAG Project

DRAWN: RHM DATED: 04/03/2014
 CHECKED: IBM
 RELEASED: RHM/IBM DATED: 04/03/2014

COMPANY: _____

TITLE: _____

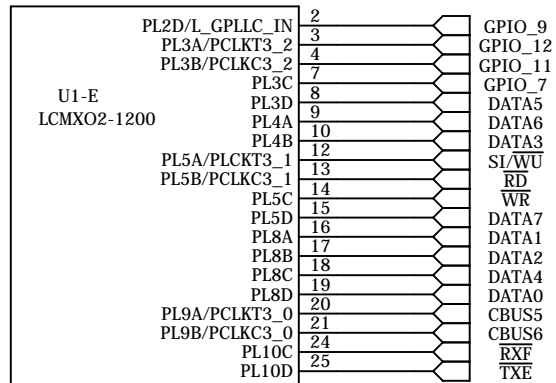
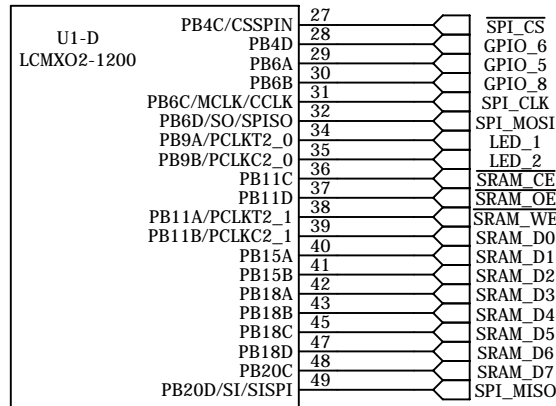
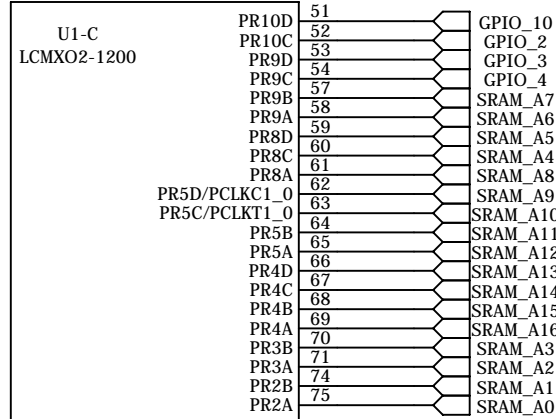
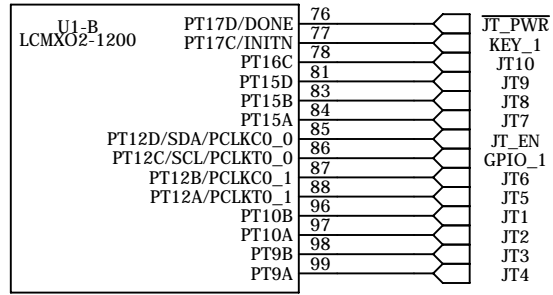
SIZE: **B**

SCALE: 1/1

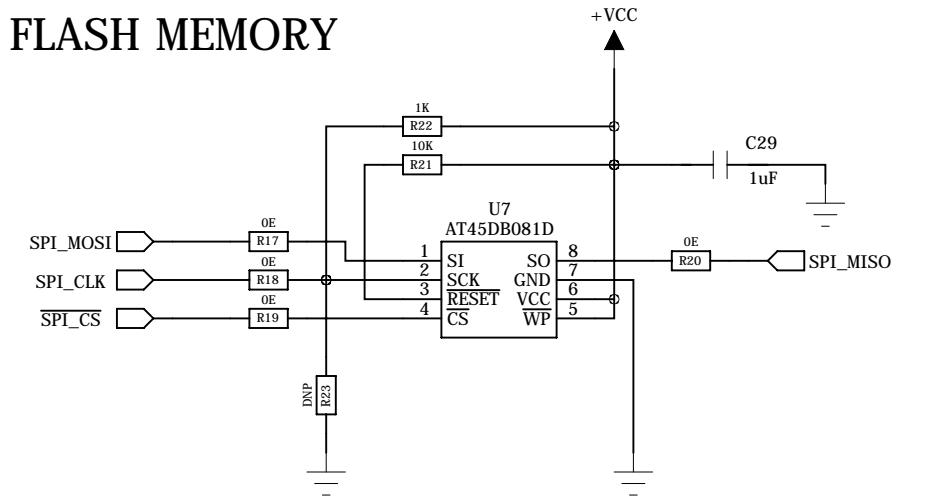
REV: _____

SHEET: 1 OF 2

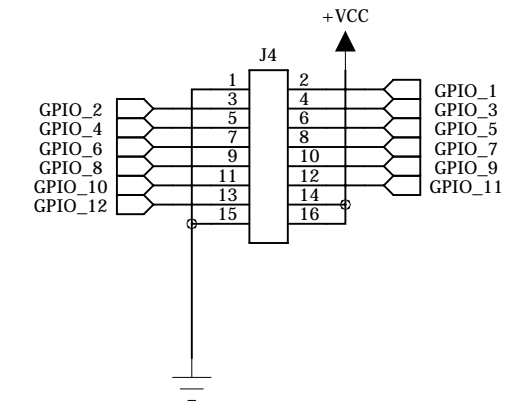
FPGA



FLASH MEMORY



EXPANSION CONNECTOR



OpenJTAG Project

COMPANY:

TITLE:

DRAWN: RHM DATED: 04/03/2014

CHECKED: IBM

RELEASED: RHM/IBM DATED: 04/03/2014

SIZE:

B

SCALE: 1/1

REV:

SHEET: 2 OF 2